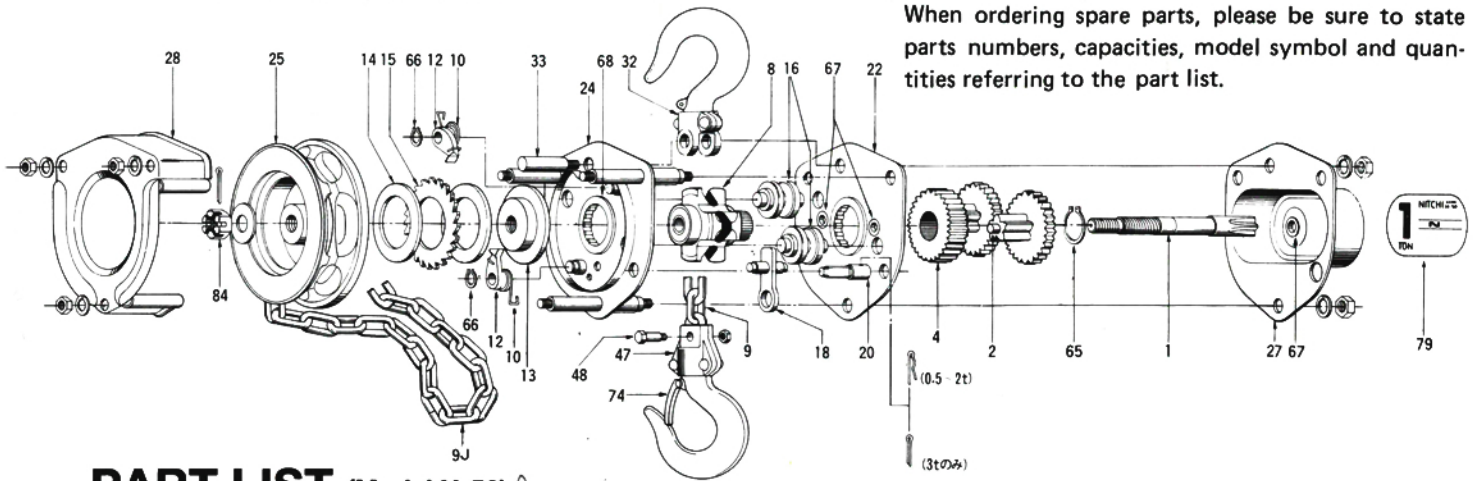


EXPLODED VIEW (Model H-50)



PART LIST (Model H-50) A

Index No.	Part Name	consisting of index No.	0.5 t Part No.	1 t Part No.	1.5 t Part No.	2 t Part No.	3 t Part No.	5 t Part No.
1	Pinion shaft		GHH5001	JHH5001	KHH5001	LHH5001	NHH5001	KHH5001
2	Pinion (with pinion gear) (set of 2)		GHH5003T	JHH5003T	KHH5003T	LHH5003T	NHH5003T	KHH5003T
4	Load gear		GHH5004	JHH5004	KHH5004	LHH5004	NHH5004	KHH5004
8	Load sheave		GHH5008T	JHH5008T	KHH5008T	LHH5008T	NHH5008T	KHH5008T
9	Load chain		T-5	V-6.3	V-7.1	V-8	V-10	V-7.1
9J	Hand chain					J-5		
13	Disc hub		GHH5013	JHH5013	KHH5013		LHH5013	KHH5013
14	Friction disc (set of 2)		GHH5014	JHH5014	KHH5014		LHH5014	KHH5014
15	Ratchet		GHH5015	JHH5015	KHH5015		LHH5015	KHH5015
16	Load chain guide (set of 2)		GHH5016	JHH5016	KHH5016	LHH5016	NHH5016	KHH5016
18	Stripper		GHH5018U	JHH5018U	KHH5018U	LHH5018U	NHH5018U	KHH5018U
20	Load chain anchoring pin		GHH5020	JHH5020	KHH5020	LHH5020	NHH5020	KHH5020
22	Gear-side plate		GHH5022	JHH5022	KHH5022	LHH5022	NHH5022	KHH5022
67	0.5t ~ 2t, 5t plain bushing for pinion 3t, 10t~Needle bearing (set of 4)	w/o 67, 68		GHH5067	KHH5067	LHH5067	TR132713NR	KHH5067
68	Needle bearing for load sheave (set of 2)		TR273510NR	TR324210NR	TR364710NR	TR425313NR	TR506213NR	TR364710NR
24	Wheel-side plate assembly	10, 12, 66 w/o 68	GHH5024T	JHH5024T	KHH5024T	LHH5024T	NHH5024T	KHH5024T
10	Pawl spring (set of 2)			GHH5010			KHH5010	
12	Pawl (set of 2)			IRB3007			KRB3007	
66	Snap ring for pawl pin (set of 2)			SRC5108			SRC5112	
25	Handwheel		GHH5025	JHH5025	KHH5025	LHH5025	NHH5025	KHH5025
27	Gear cover	w/o 67, 79	GHH5027	JHH5027	KHH5027	LHH5027	NHH5027	KHH5027
79	Label		E-H51	E-H52	E-H53	E-H54	E-H55	E-H56
28	Handwheel cover		GHH5028	JHH5028	KHH5028	LHH5028	NHH5028	KHH5028
32	Top hook assembly	w/o 74	GHH5032T	JHH5032T	KHH5032T	LHH5032T	NHH5032T	PHH5032T
33	Yoke pin			RH4010033	RH4015033	RH4020033	HH4030033	RH4015033
47	Bottom hook assembly	74 w/o 48	GHH5047U	JHH5047U	KHH5047U	LHH5047U	NHH5047U	PHH5047U
48	Load chain fastening bolt with nut		GHH5048U	JHH5048U	KHH5048U	LHH5048U	NHH5048U	PHH5048U
74	Safety latch assembly		GHH5074U	JHH5074U	KHH5074U	LHH5074U	NHH5074U	PHH5074U
65	Snap ring for load sheave		SRC5122	SRC5125	SRC5130	SRC5138	SRC5145	SRC5130
84	Check nut		KN11M8	KN12M10			KN12M12	

NITACHI . . . a world renowned name for genuine manufacturer for labor-saving dependable Materials Handling Equipment

- Electric chain hoists (single speed)
- Hand trolleys (geared & plain)
- Jib cranes (semicircular & circular swivelling)
- Electric chain hoists (two speed)
- Lever hoists
- Electric saddles (overhead & suspension)
- Electric trolleys
- Cranes (overhead & suspension)
- Slings
- Hand chain hoists
-
- and more . . . for specific requirements